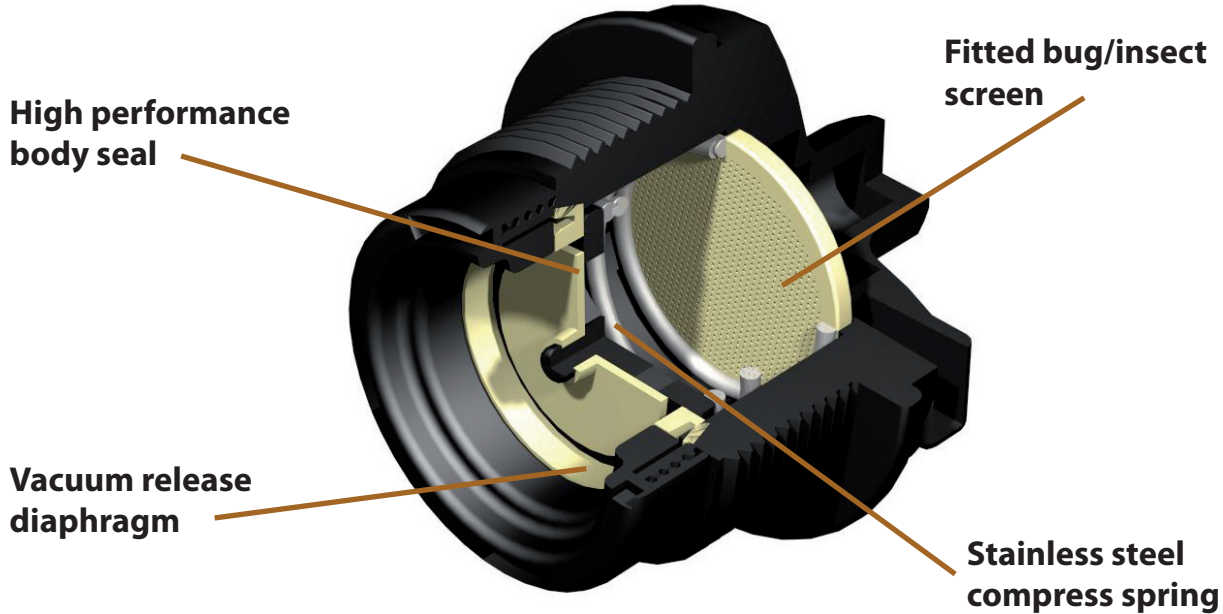


# IBC Vents



The newly designed pressure and vacuum vent will protect your container and valuable content without the need to remove the top. Moulded in glass coupled polypropylene and springs in stainless steel this product will give you the chemical resistance and durability you expect.

## Cross section description:



**IBC Vents** — *2" male threaded vent*